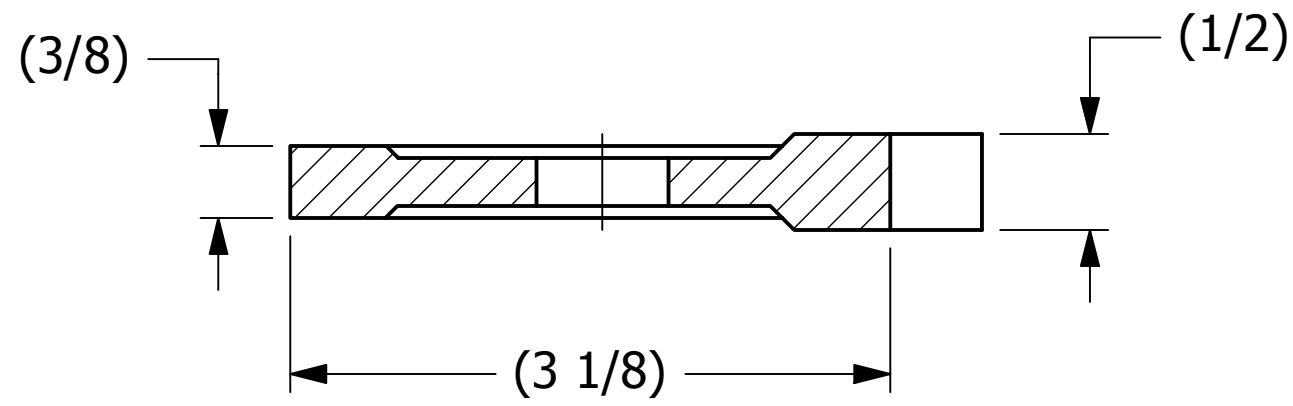
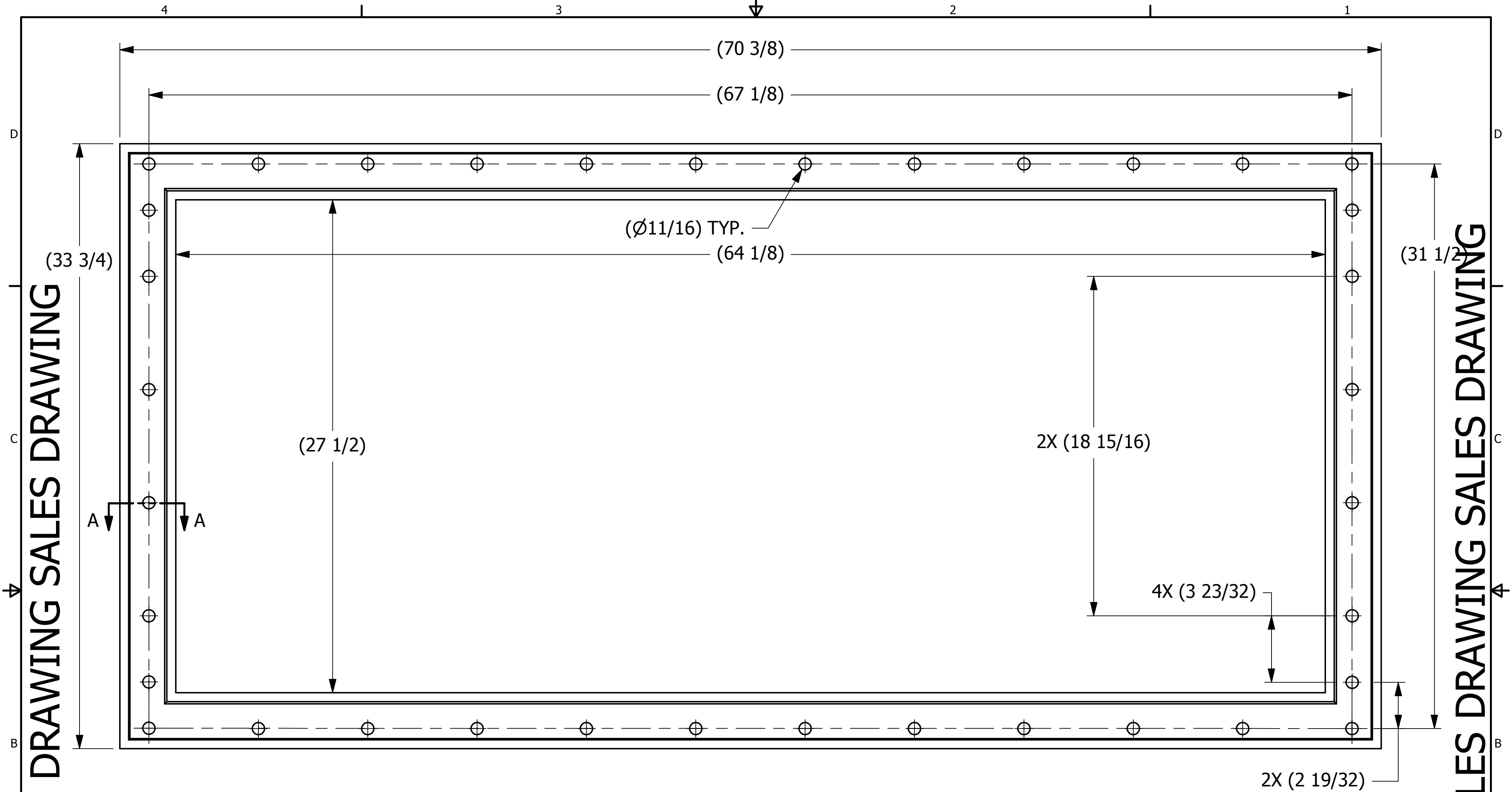


SALES DRAWING SALES DRAWING

SALES DRAWING SALES DRAWING



SECTION A-A  
SCALE 1 : 1

REV	BY	DATE	DESCRIPTION
D	WEB	2-8-17	UPDATED TOLERANCES ON DIMS 64.13 +.25/- .00 & 27.50+ .1875/- .0000 TO 64.13 +.1875/- .0000 & 27.50 +.125/- .000
C	RJP	1-20-17	UPDATED TO CURRENT DRAFTING STANDARDS
B	TJN	12-30-91	CORRECTED SCALE & ADDED DIMENSIONS
A	JDA	6-14-90	11/16" WAS17/32"

<small>UNLESS OTHERWISE SPECIFIED DIMENSIONAL TOLERANCES FRACTIONAL: <math>\pm 1/16</math> X.XX: <math>\pm .03</math> X.XXX: <math>\pm .015</math> ANGLE: <math>\pm 1^\circ</math> DEBURR ALL SHARP EDGES. ALL MACHINED SURFACES TO HAVE A 125 RMS FINISH UNLESS NOTED OTHERWISE.</small>	DRAWN BY:	JDA
	CHECKED BY:	
	PROTOTYPE BY:	JDA
	PROTOTYPE DATE:	1/11/2017
	APPROVED FOR PRODUCTION BY:	JDA
	PRODUCTION DATE:	1/18/1990

**SALCO PRODUCTS, INC.**

PART NAME: **GATE GASKET**

MATERIAL: **FDA WHITE VINYL DURO 65±5 SHORE A**

PROJECT #: SHEET #: **1 OF 1** SCALE: **1:4**

DRAWING #: **C11890** PART #: **GGTR111**

THIS PRINT, PROPERTY OF SALCO PRODUCTS INC., CONTAINS PROPRIETARY INFORMATION AND MUST NOT BE COPIED, REPRODUCED, OR USED DETRIMENTALLY TO OUR INTEREST.